



First Choice with Military & Law Enforcement-Worldwide

"REAL LIFE TRAINING"

www.BreachingTechnologies.com

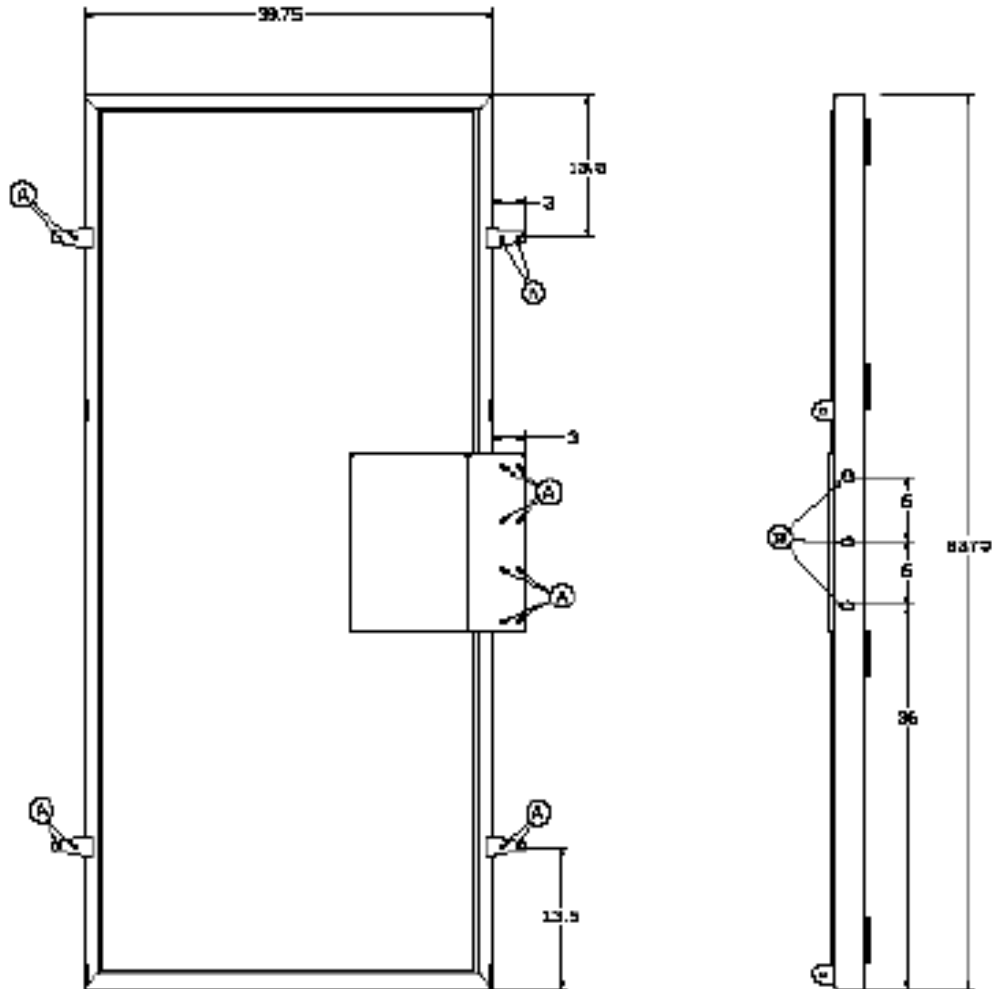
BTI Lock Explosive Door Manual

Model Type: 03
BTI Part Number: ED



Revised: 22 May 2017

WALL INSTALLATION



INSTALLATION INSTRUCTIONS:

1. INSERT TRAINING DOOR INTO 39.75" X 83.75" OPENING AS SHOWN.
2. TRAINING DOOR IS THEN SECURED WITH CUSTOMER SUPPLIED 1/4" LAG BOLTS OR SIMILAR MEANS UTILIZING THE 16-1/4" MOUNTING HOLES 'A' PROVIDED.
3. WHEN MOUNTING INTO WALLS, HOLES IN THE EXISTING FRAME SHOULD BE PROVIDED TO ALLOW THE REMOVAL OF SPENT PINS AT LOCATIONS 'B' ALTERNATIVELY, A 1/4" GAP OR MORE BETWEEN THE FRAME AND STRUCTURE IS NORMALLY SUFFICIENT TO EJECT STUCK PINS.

Breaching Door Installation

The installation of the BTI training door is straightforward and most likely self-explanatory by visual examination.

Caution: During testing and development of this product; forces more than 3000 ft./lbs. of pressure were recorded being applied to the door during a breach. Therefore it is advisable to anchor or mount your product accordingly. Typical house construction methods are not adequate for the numerous breaches for which this product has been designed. If you are unsure of your mounting methods, please consult a professional about these loads.

Free Standing. The Free Standing Kit may be installed to allow the door to be utilized in a multitude of locations and scenarios. The accompanying diagram shows the assembly method and mounting hole locations.

Your freestanding kit includes stakes for anchoring on soft surfaces such as gravel and asphalt. Alternate methods using “ram set” or similar methods may be used on hard surfaces.

Wall Installation. Installation of the BTI training door into an existing or new frame type structure is shown in the accompanying diagram. Provisions for mounting the training door in a “pre-hung” fashion have been provided in the four metal mounting ears and the frame guard as shown.

Alternate means of mounting such as face mounting or welding are up to the purchaser. However, BTI Inc. cannot warrantee products, which are mounted in ways that weaken the frame or structure, or are inconsistent with our design and testing.

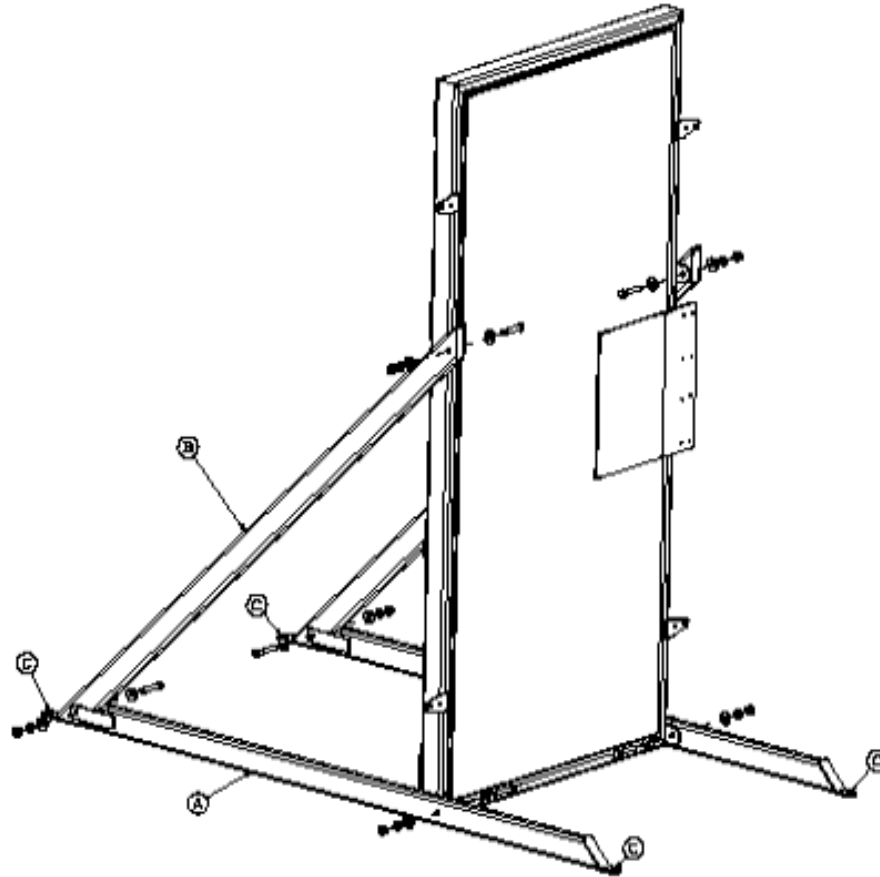
Note: When installing the door into the opening of a structure, it is advised that a provision be made to allow the ejection of stuck spent pins by poking from the backside of the doorjamb.

One method of accomplishing this is to place 3 aligned holes into the structure corresponding to the socket holes.

Another method is to shim the door in the opening and allow ½ to 1 inch of clearance in the area of the sockets. This will allow enough access to the backside to eject the stuck pins.

Although spent pins that occasionally stick into the socket after breaching may be removed by pulling with a hook-type tool, it is consistently easier to poke them out rather than pull them out.

FREE STANDING KIT ASSEMBLY



ASSEMBLY INSTRUCTIONS:

1. LOCATE BASES 'A' AND BRACES 'B'
2. ASSEMBLE THE BASE 'A' TO BRACE 'B' USING THE 1/2" X 3" BOLTS AS SHOWN.
3. ATTACH THE LEGS TO THE DOOR USING THE 1/2" X 3" BOLTS AS SHOWN.
4. ANCHOR THE DOOR ASSEMBLY TO THE GROUND USING THE SUPPLIED HARDWARE OR ALTERNATE METHOD USING ANCHOR HOLES 'C'

Thank you for your purchase and use of the BTI Breaching Door system. This innovative and patented training device provides realistic training scenarios that are discussed on the following pages.

The BTI Explosive Breaching Door is designed to promote realism in training. The door is not designed or intended to train explosive personnel on the sizing or design of breaching charges.

The intent of the BTI Explosive Breaching Door is to allow explosive breaching personnel to be incorporated into the breaching unit during training. This incorporation allows the assault team to practice with the explosive personnel during placement and subsequent percussion of the charges.

The BTI Explosive Breaching Door can be a very useful training tool. However, any situation that involves explosives can easily become deadly.

WARNING

BTI HAS NO CONTROL OVER THE PROPER USE AND INSPECTION OF THIS PRODUCT ONCE IT LEAVES OUR CONTROL. DEATH AND INJURY ARE EASILY ACCOMPLISHED WHEN HANDLING AND USING EXPLOSIVES FOR BREACHING. EXPLOSIVES BY DEFINITION RELY ON PARTICLES OF MASS TRAVELING AT AN EXTREMELY HIGH VELOCITY TO EXERT HIGH FORCES ON ADJACENT OBJECTS. AS A RESULT, PIECES OF MASS FROM THE EXPLOSIVE CHARGE, CHARGE MOUNTING PROVISIONS, AND POSSIBLY PIECES OF THE BTI DOOR WILL BE EXPELLED IN UNKNOWN DIRECTIONS DURING USE. THESE OBJECTS OF MASS HAVE THE ABILITY TO KILL OR INJURE PROPERTY AND INDIVIDUALS WITHIN THE AREA.

THIS PRODUCT SHOULD BE INSPECTED FOR CRACKS PRIOR TO EVERY USE. IF ANY CRACKS ARE FOUND OR PERCEIVED, THE DOOR IS CONSIDERED UNUSABLE AND SHOULD BE DESTROYED AND NOT USED.

EXPERIENCED PERSONNEL TRAINED IN THE ART OF EXPLOSIVE BREACHING SHOULD UTILIZE THIS PRODUCT AND THAT ARE KNOWLEDGEABLE IN THE HANDLING, SIZING, PLACEMENT OF EXPLOSIVE CHARGES, AND THE EXTENT OF FRAGMENTATION DURING EXPLOSIVE BREACHING.

BTI AND ITS DIRECTORS, OFFICERS, SHAREHOLDERS, EMPLOYEES OR AGENTS SHALL NOT BE LIABLE FOR ANY LOSS OF LIFE, PERSONAL INJURY, OR LOSS OR DAMAGE TO PROPERTY OF THE PURCHASER OF THE EXPLOSIVE BREACHING DOOR OR OTHERS ARISING FROM ANY OCCURRENCE OR CAUSE IN, ON OR ABOUT THE VENUE WHERE THE PRODUCT IS BEING UTILIZED FOR ITS INTENDED PURPOSE OR IN CONNECTION WITH ANY EVENT WHEREIN THE PRODUCT IS BEING UTILIZED FOR ITS INTENDED PURPOSE UNLESS CAUSED BY THE GROSS NEGLIGENCE OR WILFUL MISCONDUCT OF BTI, ITS

DIRECTORS, OFFICERS, SHAREHOLDERS, EMPLOYEES OR AGENTS. FOR CERTAINTY, THE PURCHASER OF THE EXPLOSIVE BREACHING DOOR SHALL BE SOLELY RESPONSIBLE FOR THE NEGLIGENCE OR WILFUL MISCONDUCT OF THE DIRECTORS, OFFICERS, SHAREHOLDERS, EMPLOYEES, AGENTS, SOLDIERS OR TROOPS, REPRESENTATIVES, STAFF, CONTRACTORS, OR PERSONNEL OF THE PURCHASER OR THOSE ENGAGED BY THE PURCHASER TO USE THE PRODUCT FOR ITS INTENDED PURPOSE.

IN ADDITION THERETO, UNLESS CAUSED BY THE GROSS NEGLIGENCE OR WILFUL MISCONDUCT OF BTI, ITS DIRECTORS, OFFICERS, SHAREHOLDERS, EMPLOYEES OR AGENTS THE PURCHASER OF THE EXPLOSIVE BREACHING DOOR AGREES TO INDEMNIFY AND HOLD HARMLESS BTI, ITS DIRECTORS, OFFICERS, SHAREHOLDERS, EMPLOYEES OR AGENTS FROM AND AGAINST ALL CLAIMS, ACTIONS, DAMAGES, LIABILITIES AND EXPENSES (INCLUDING, LEGAL FEES, EXPERT WITNESS FEES, COURT COSTS AND DISBURSMENTS) IN CONNECTION WITH: (1) LOSS OF LIFE, PERSONAL INJURY, OR LOSS OR DAMAGE TO PROPERTY OF THE PURCHASER OF THE EXPLOSIVE BREACHING DOOR OR OTHERS, ARISING FROM OR OUT OF ANY OCCURRENCE ON OR ABOUT THE VENUE WHERE THE PRODUCT IS BEING USED FOR ITS INTENDED PURPOSE OR IN CONNECTION WITH ANY EVENT WHEREIN THE PRODUCT IS BEING USED FOR ITS INTENDED PURPOSE; (2) THE USE OF EXPLOSIVE EQUIPMENT, DEVICES, MATERIALS, OR PROCESSES USED IN CONNECTION WITH ANY EVENT WHEREIN THE PRODUCT IS BEING USED FOR ITS INTENDED PURPOSE; AND (3) ANY BREACH OF THIS AGREEMENT BY THE PURCHASER, ITS DIRECTORS, OFFICERS, SHAREHOLDERS, EMPLOYEES, AGENTS, SOLDIERS OR TROOPS, REPRESENTATIVES, STAFF, CONTRACTORS, PERSONNEL, PRODUCT USERS OR THOSE FOR WHOM THE PURCHASER IS RESPONSIBLE IN LAW.

WITHOUT LIMITING THE FOREGOING, IN NO EVENT SHALL BTI, ITS DIRECTORS, OFFICERS, SHAREHOLDERS, EMPLOYEES OR AGENTS BE LIABLE FOR ANY DIRECT, INDIRECT, PUNITIVE, INCIDENTAL, SPECIAL, CONSEQUENTIAL OR EXEMPLARY DAMAGES OR ANY DAMAGES WHATSOEVER INCLUDING, WITHOUT LIMITATION, DAMAGES ARISING OUT OF THE USE OF THE EXPLOSIVE BREACHING DOOR, WHETHER BASED ON CONTRACT, TORT, NEGLIGENCE, STRICT LIABILITY OR OTHERWISE.

IF AS THE PURCHASER OF THIS DOOR, YOU DO NOT SOLELY ACCEPT THE RISKS AS DEFINED ABOVE, PLEASE CONTACT BTI FOR A COMPLETE REFUND OR EXCHANGE FOR A DIFFERENT TYPE OF TRAINING DOOR.

Warranty

Your new BTI Explosive door includes a One Year Warranty against manufacturing defects. It's useful life is solely a function of the type and quantity of charges utilized. If at any time you are unsatisfied with this product or its operation, please feel free to contact us using any of the options listed under contacts below.

Replacement Parts

Although we don't anticipate any items that would need replacing other than the skin of the door, please contact us to discuss these items.

Maintenance

Paint scratches should be touched up to prevent rust from occurring. While any paint will suffice, we recommend *RUST-OLEUM* in Hammered Black.

Contacts

You may contact BTI using any of the following methods:

Mail: Breaching Technologies Inc.
P.O. Box 701468
San Antonio, Texas 78270

Web: www.breachingtechnologies.com
Phone: (210) 590-5152
(866) 552-7427 toll free
Fax: (210) 590-5193
Email: delj2121@sbcglobal.net

Caution

This BTI product weighs approximately 200 lbs. The door should be secured by insertion of a breaching pin or other means during transport and moving. The movement of the unlatched door can and has caused injury.

Explosive Door Operation

Your new breaching door has been designed to simulate an inwardly opening door for forced entry training utilizing **Explosive Pushing Charges**. This door may be mounted in a structure such as a training or live fire facility, or may be utilized with the optional free standing kit.

Pins. With the purchase of your BTI training door, you received a quantity of green explosive breaching pins. Although 4 types of pins are available for use with the various BTI training doors, only the Green pins are recommended for use in the BTI Explosive Breaching door.

Three types of pins are available for use with the BTI training door:

Wood Type – (Clear Pin; breaks at approximately 450 ft./lbs. pressure) - These pins simulate forces found when breaching a typical wood construction door/frame. This type of pin would normally be used to simulate a residential building breach.

Metal Type (Blue Pin; breaks at approximately 600 ft./lbs. pressure)- These pins simulate forces found when breaching a typical metal construction door/frame. This type of pin would normally be used to simulate a commercial building breach.

Reinforced Type (Red Pin; breaks at approximately 900 ft./lbs. pressure) – Reinforced pins are not applicable to the pry door training system.

Explosive Pin – (Green Pin) The BTI Explosive Pin is specifically designed for use in the Strip-Lock, Strip and standard BTI Explosive Breaching Doors.

All three types of pins are identified in size. Each pin is designated by type and breaking weight by its color. As mentioned above.



Breaching the Door. Your new breaching door has been engineered to simulate scenarios for forced entry training utilizing explosives.

After closing the door, a single BTI explosive type (Green) pin is inserted into the socket as shown. The pin should insert a distance of approximately ¼” into the socket when fully seated. Due to stresses and strains imparted upon the door structure during breaching, slight misalignments will occur over time. Accordingly, the system has been designed such that the amount of engagement into the socket is not extremely critical. A second pin socket is provided in case damage occurs which makes one of the sockets unusable.



Once the door has been breached, the broken pins may not fall out or may partially fall out. A screw driver, or similar tool may be used (as shown) to remove the spent pins from the opposite direction of installation.



Spent pins may be extracted from the insertion direction utilizing a screw driver or similar tool as shown on the following page.



Explosives

The BTI Explosive door is designed to function with “pushing type” charges only. **The use of shape and cutting type charges will only damage the door and increase the risk for injury.**

Based upon our experience, pushing charges of 250 to 350 grains of HE are sufficient to open the door. The use of charges in excess of 350 grains equivalent will only lessen the life of the door and increase the chance of injury.

Typical charges and methods utilized by BTI personnel are shown at the right. This pushing charge consists of 5 1-foot wraps of 50-grain/foot-detonation cord, resulting in a 250-grain charge. This charge is attached to a ¼ thick piece of polyethylene, which in turn is attached to the face of the explosive breaching door with normal double-sided carpet tape.

Other typical methods of backing material for the charges are rubber conveyor belting and other plastic materials. Note that the chosen backing materials become fragmented projectiles during the subsequent explosion.



BTI personnel have also utilized “water bag” type charges that generate acceptable pushing type results.

Other explosive pushing charges utilizing C-1 through C-4 plastic explosives can be utilized. However, explosive weight should not exceed 20 grams or a 350-grain equivalent.

Note that detonation cord is manufactured in many different explosive weights. The military commonly utilizes 54 grains per foot detonation cord. **Always determine the total explosive weight of any charge.**

Explosive Placement

Placement of the pushing charge is on the reinforced plate on the front of the door. The charge should be attached to the door utilizing double-sided tape, breachers paste or similar method. Water bags are commonly placed over the charge to enhance the pushing effect.

Care should be exercised as to not allow the charge to overlap on to the doorframe or associated structure. This will only apply meaningless forces into the doorframe. Over time this will shorten the life of the product.

Remember that when a detonation occurs, the material used to push the door open is deformed and fragments at a very high velocity. It is therefore recommended that shields, ballistic vests, ear and eye protection always be used. If shields are not practical then the door should be placed in such a manner or location to allow trainees to have sufficient cover to protect them from the blast and accompanying fragmentation that will be propelled through the air in all directions.

IMPORTANT NOTICE!!

ATTN: BREACHING TRAINER

**Please deliver this notice to the
BREACHING TRAINER**

BTI Breaching Pins and/or panels are required and MUST be used for training on ALL BTI Breaching Doors. The use of substitute pins or panels will result in loss of warranty.

Pins and panels can be obtained by going to our web site:

www.breachingtechnologies.com

Contact BTI for a price quote by emailing:

delj2121@sbcglobal.net

End Use License Agreement

BTI Breaching Doors are manufactured using a patented socket or panel system installed in the frame and door. It should be specifically noted that the Purchaser must use the BTI patented engineered pins or panels when breaching the door. Any use of a substitute product is strictly prohibited and would constitute a violation of BTI policy and thereby be in default of this Licensing Agreement notification. The proprietary information provided on the Serial Number plate attached to each door is meant to serve as a notification of the BTI Licensing Agreement.