



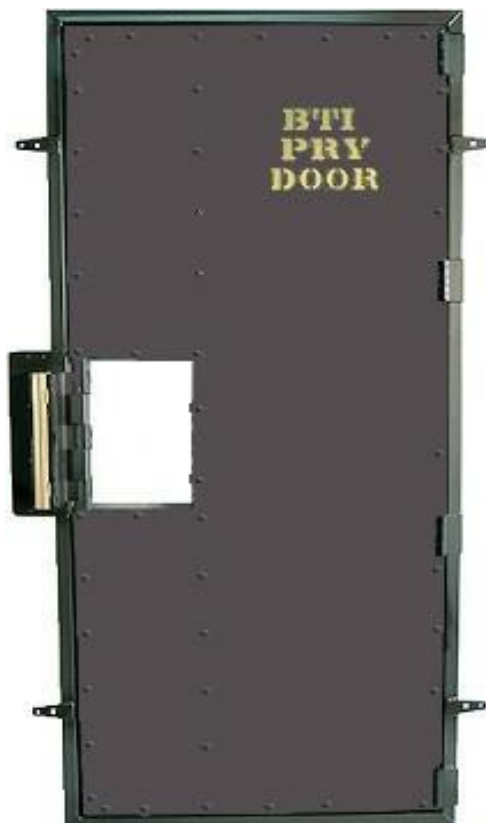
First Choice with Military & Law Enforcement-Worldwide

"REAL LIFE TRAINING"

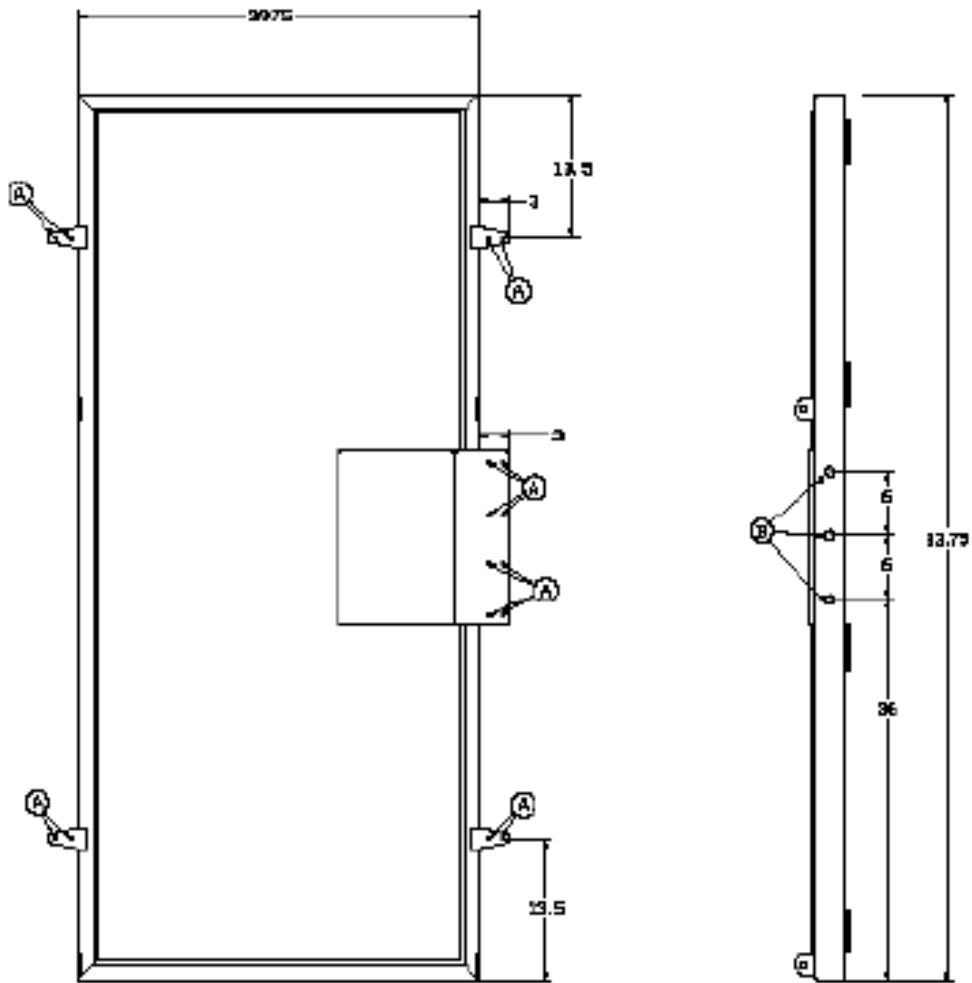
www.BreachingTechnologies.com

BTI Pry Door Manual

Model Type: 02
BTI Part Number: PD



WALL INSTALLATION



INSTALLATION INSTRUCTIONS,

1. INSERT TRAINING DOOR INTO 39.75" X 83.75" OPENING AS SHOWN.
2. TRAINING DOOR IS THEN SECURED WITH CUSTOMER SUPPLIED 1/4" LAG BOLTS OR SIMILAR MEANS UTILIZING THE 16- 1/4" MOUNTING HOLES 'A' PROVIDED.
3. WHEN MOUNTING INTO WALLS, HOLES IN THE EXISTING FRAME SHOULD BE PROVIDED TO ALLOW THE REMOVAL OF SPENT PINS AT LOCATIONS 'B' ALTERNATIVELY, A 1/4" GAP OR MORE BETWEEN THE FRAME AND STRUCTURE IS NORMALLY SUFFICIENT TO EJECT STUCK PINS.

Breaching Door Installation

The installation of the BTI training door is straightforward and most likely self-explanatory by visual examination.

Caution: During the testing and development of this product; forces more than 3000 ft./lbs. of pressure were recorded being applied to the door during a breach. Therefore it is advisable to anchor or mount your product accordingly. Typical house construction methods are not adequate for the numerous breaches for which this product has been designed. If you are unsure of your mounting methods, please consult a professional about these loads.

Free Standing. The Free Standing Kit may be installed to allow the door to be utilized in a multitude of locations and scenarios. The accompanying diagram shows the assembly method and mounting hole locations.

Your freestanding kit includes stakes for anchoring on soft surfaces such as gravel and asphalt. Alternate methods using “ram set” or similar methods may be used on hard surfaces.

Wall Installation. Installation of the a typical BTI training door into an existing or new frame type structure is shown in the accompanying diagrams. Provisions for mounting the training door in a “pre-hung” fashion have been provided in the four metal mounting ears and the frame guard as shown.

Alternate means of mounting such as face mounting or welding are up to the purchaser. However, BTI Inc. cannot warrantee products, which are mounted in ways that weaken the frame or structure, or are inconsistent with our design and testing.

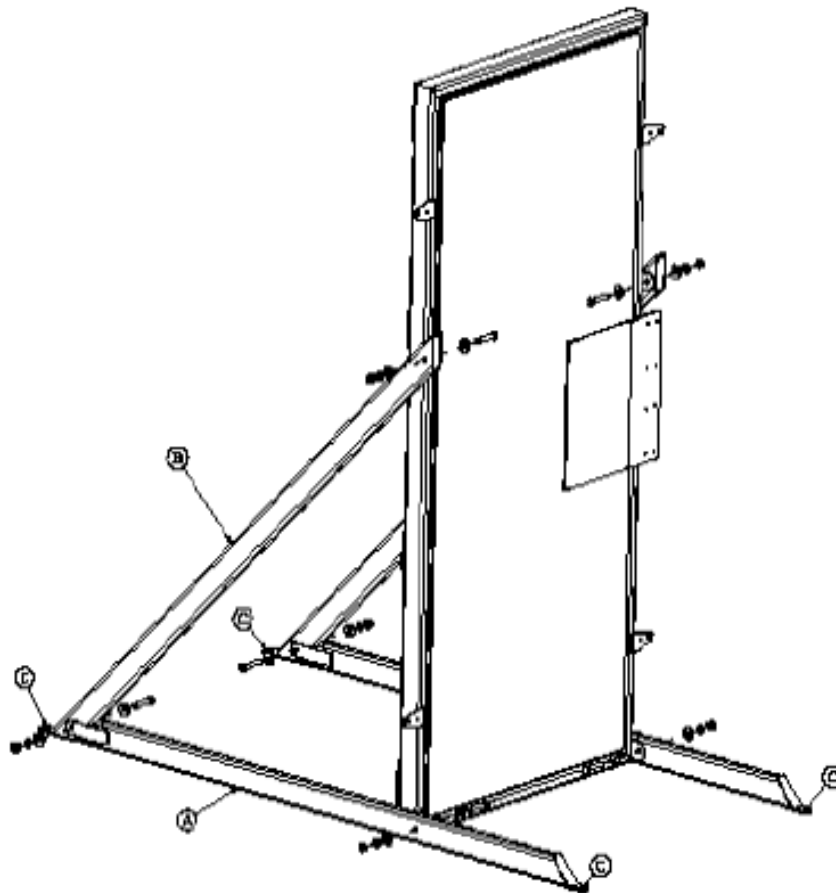
Note: When installing the door into the opening of a structure, it is advised that a provision be made to allow the ejection of stuck spent pins by poking from the backside of the doorjamb.

One method of accomplishing this is to place 3 aligned holes into the structure corresponding to the socket holes.

Another method is to shim the door in the opening and allow ½ to 1 inch of clearance in the area of the sockets. This will allow enough access to the backside to eject the stuck pins.

Although spent pins that occasionally stick into the socket after breaching may be removed by pulling with a hook-type tool, it is consistently easier to poke them out rather than pull them out.

FREE STANDING KIT ASSEMBLY



ASSEMBLY INSTRUCTIONS:

1. LOCATE BASES 'A' AND BRACES 'B'
2. ASSEMBLE THE BASE 'A' TO BRACE 'B' USING THE 1/2" X 3" BOLTS AS SHOWN.
3. ATTACH THE LEGS TO THE DOOR USING THE 1/2" X 3" BOLTS AS SHOWN.
4. ANCHOR THE DOOR ASSEMBLY TO THE GROUND USING THE SUPPLIED HARDWARE OR ALTERNATE METHOD USING ANCHOR HOLES 'C'

Thank you for your purchase and use of the BTI Breaching Door system. This innovative and patent pending training device provides realistic training scenarios that are discussed on the following pages.

Warranty

Your new BTI Training door includes a 1-year manufacturer's warranty that covers quality and workmanship or 1500 breaches, whichever ever comes first. If at any time you are unsatisfied with this product or its operation, please feel free to contact us using any of the options listed under contacts below.

Replacement Parts

The BTI Pry Door has been designed to utilize a disposable wood section for insertion of the prying tool. Although these sections can be purchased from BTI at a nominal cost, these items may also be obtained from a local lumber supply company. The nominal dimensions are 2¹/₄ x 1⁵/₁₆ x 13 inches.

Although we don't anticipate any other items that would need replacing other than the skin of the door, please contact us to discuss these items.

Maintenance

Paint scratches should be touched up to prevent rust from occurring. While any paint will suffice, we recommend *RUST-OLEUM* in Hammered Black.

Contacts

You may contact BTI using any of the following methods:

Mail: Breaching Technologies Inc.
P.O. Box 701468
San Antonio, Texas 78270

Web: www.breachingtechnologies.com
Phone: (210) 590-5152
(866) 552-7427 toll free
Fax: (210) 590-5193
Email: delj2121@sbcglobal.net

Caution

This BTI product weighs approximately 200 lbs. The door should be secured by insertion of a breaching pin or other means during transport and moving. The movement of the unlatched door can and has caused injury.

Pry Door Operation

Your new pry door has been designed to simulate an outwardly opening door for forced entry training. This door may be mounted in a structure such as a training or live fire facility, or may be utilized with the optional free standing kit.

Pins. With the purchase of your BTI training door, you received a quantity of breaching pins. These patent pending pins have been engineered in both material and shape such that when used in conjunction with the BTI training door, the breacher experiences realistic forces.

Three types of pins are available for use with the BTI training doors:

Wood Type (Clear Pin; breaks at approximately 450 ft./lbs. pressure) - These pins simulate forces found when breaching a typical wood construction door/frame. This type of pin would normally be used to simulate a residential building breach.

Metal Type (Blue Pin; breaks at approximately 600 ft./lbs. pressure) - These pins simulate forces found when breaching a typical metal construction door/frame. This type of pin would normally be used to simulate a commercial building breach.

Reinforced Type (Red Pin; breaks at approximately 900 ft./lbs. pressure) - Reinforced pins are not applicable to the pry door training system.

All three types of pins are identical in size. Each pin is designated by type and breaking weight by its color. As mentioned above.



Pry Door. Your new breaching door has been engineered to simulate many scenarios for forced entry training. As previously discussed, 2 different door construction types can be simulated utilizing the 2 different types of engineered pins. Additionally, 1 to 3 lock sets can be simulated utilizing the pin sockets located on the backside of the breaching door.

When used in conjunction with the 3 types of breaching pins, a total of 6 breaching scenarios can be simulated as defined below:

Scenario	Lock Set		
	1	2	3
1	wood		
2	wood	wood	
3	wood	wood	wood
4	metal		
5	metal	metal	
6	metal	metal	metal

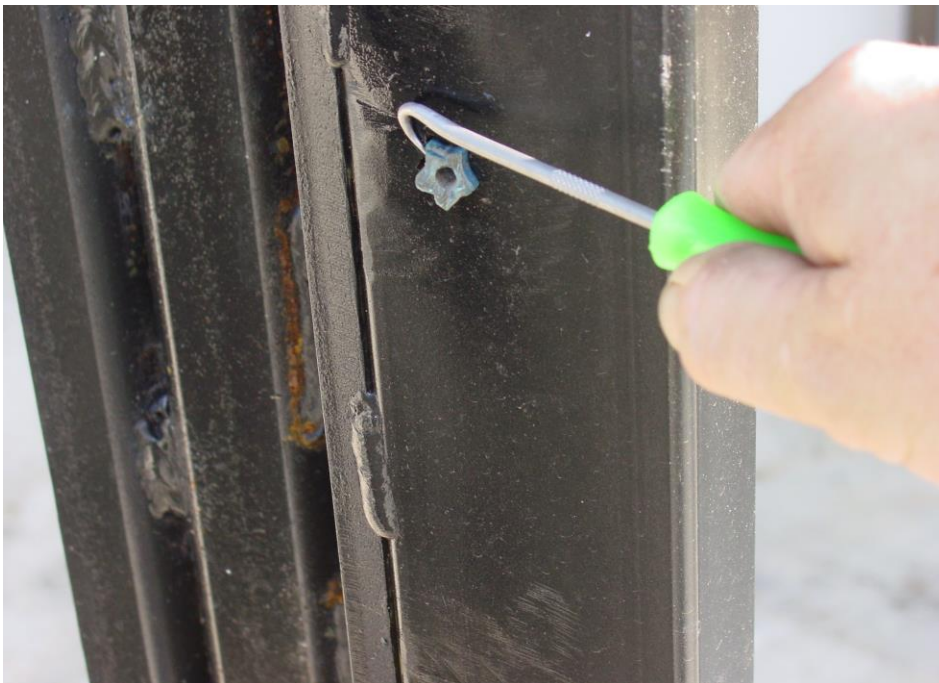
After closing the door, the desired type and quantity of BTI pins are inserted into the sockets as shown below. The pin should insert a distance of approximately ¼” into the socket when fully seated. Due to stresses and strains imparted upon the door structure during breaching, slight misalignments will occur over time. Accordingly, the system has been designed such that the amount of engagement into the socket is not extremely critical.



Once the door has been breached, the broken pins may not fall out or may partially fall out. A screw driver, or similar tool may be used (as shown) to remove the spent pins from the opposite direction of installation if access is available.



Spent pins may be extracted from the insertion direction utilizing a screw driver or similar tool as shown on the following page.



IMPORTANT NOTICE!!

ATTN: BREACHING TRAINER

**Please deliver this notice to the
BREACHING TRAINER**

**BTI Breaching Pins and/or panels are
required and MUST be used for
training
on ALL BTI Breaching Doors. The use of
substitute pins or panels will result in
loss of warranty.**

Pins and panels can be obtained by going to our web site:

www.breachingtechnologies.com

Contact BTI for a price quote by emailing:

delj2121@sbcglobal.net

End Use License Agreement

BTI Breaching Doors are manufactured using a patented socket or panel system installed in the frame and door. It should be specifically noted that the Purchaser must use the BTI patented engineered pins or panels when breaching the door. Any use of a substitute product is strictly prohibited and would constitute a violation of BTI policy and thereby be in default of this Licensing Agreement notification. The proprietary information provided on the Serial Number plate attached to each door is meant to serve as a notification of the BTI Licensing Agreement.