



First Choice with Military & Law Enforcement-Worldwide

"REAL LIFE TRAINING"

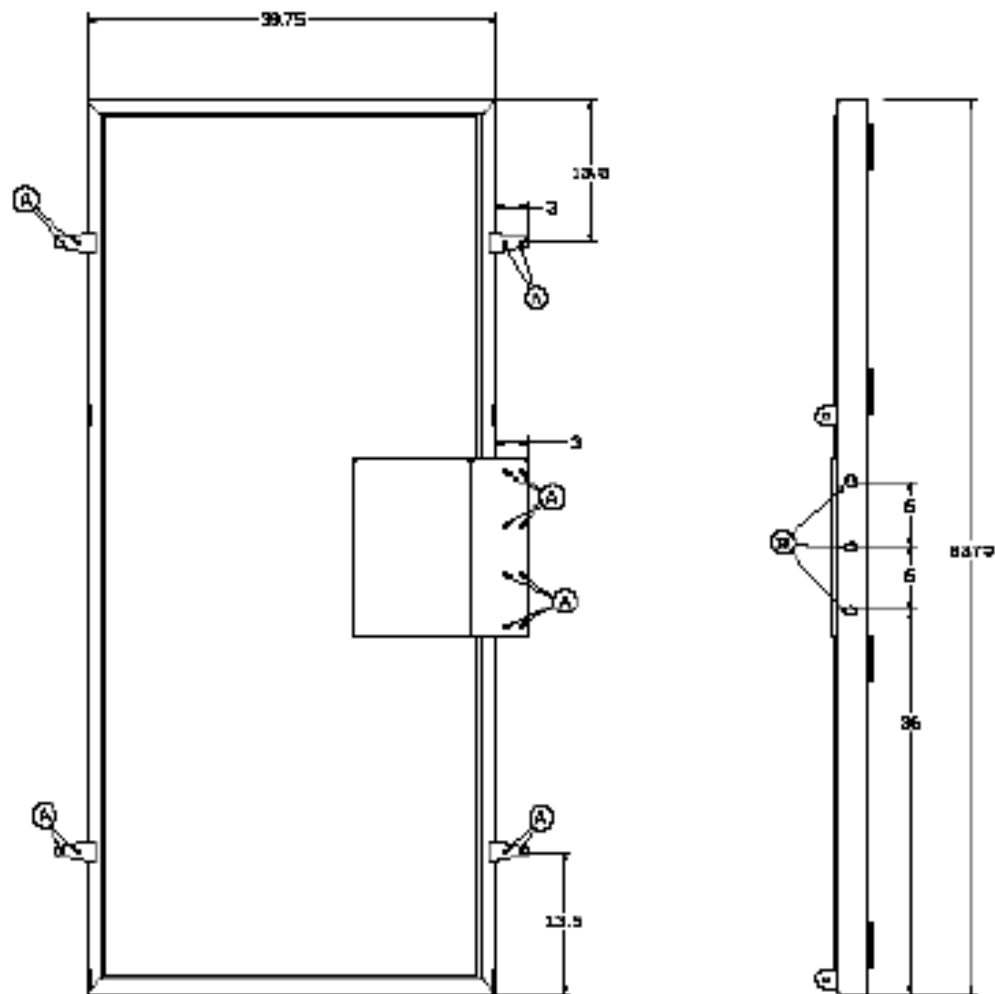
www.BreachingTechnologies.com

BTI Shotgun Door Manual

Model Type: 04
BTI Part Number: SD



WALL INSTALLATION



INSTALLATION INSTRUCTIONS:

1. INSERT TRAINING DOOR INTO 39.75" X 83.75" OPENING AS SHOWN.
2. TRAINING DOOR IS THEN SECURED WITH CUSTOMER SUPPLIED 1/4" LAG BOLTS OR SIMILAR MEANS UTILIZING THE 16-1/4" MOUNTING HOLES 'A' PROVIDED.
3. WHEN MOUNTING INTO WALLS, HOLES IN THE EXISTING FRAME SHOULD BE PROVIDED TO ALLOW THE REMOVAL OF SPENT PINS AT LOCATIONS 'B' ALTERNATIVELY, A 1/4" GAP OR MORE BETWEEN THE FRAME AND STRUCTURE IS NORMALLY SUFFICIENT TO EJECT STUCK PINS.

Breaching Door Installation

The installation of the BTI training door is straightforward and most likely self-explanatory by visual examination.

Caution: Rounds fired during the breaching operation may damage nearby property and personnel in the line of fire. The door has been designed to promote the glancing impact of rounds on the structural members, and as a result, ricochets of rounds are highly likely. If you are unsure of your mounting methods and location, please consult a professional.

Wall Installation

Installation of the BTI training door into an existing opening or new frame type structure is shown in the accompanying diagram. Provisions for mounting the training door in a “pre-hung” fashion have been provided in the four metal mounting ears and the frame guard as shown.

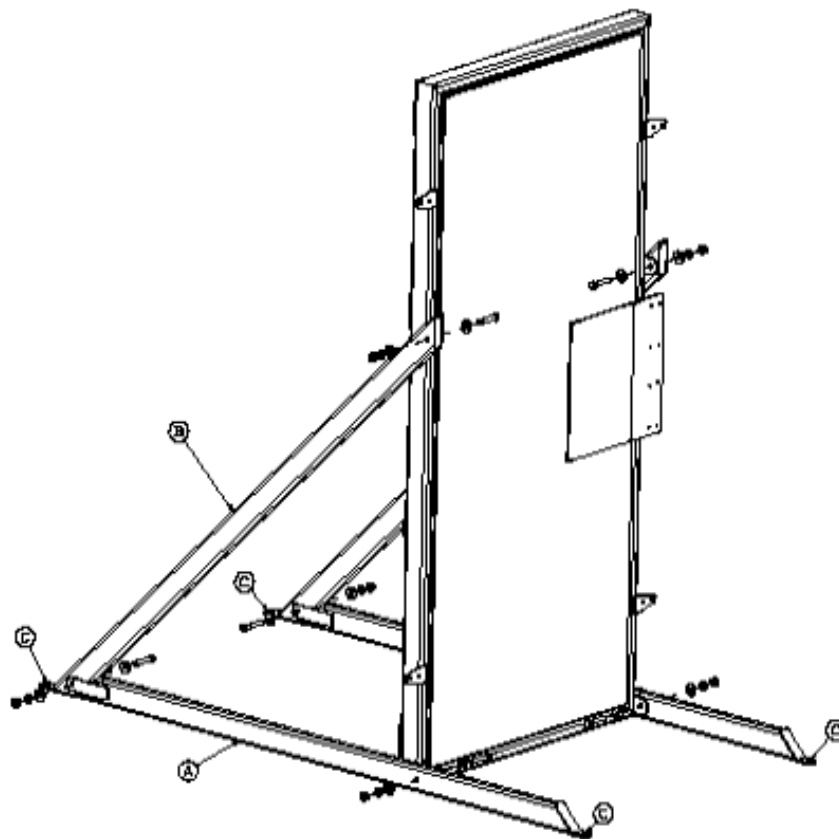
Alternate means of mounting such as face mounting or welding are up to the purchaser; however, BTI Inc. cannot warrant products that are mounted in ways that weaken the door structure or are inconsistent with factory design and testing.

Free Standing

The Free Standing Kit may be installed to allow the door to be utilized in a multitude of locations and scenarios. The accompanying diagram shows the assembly method and mounting hole locations for a typical BTI door system.

Your freestanding kit includes stakes for anchoring on soft surfaces such as gravel and asphalt. Alternate methods using concrete anchors or similar methods may be used on hard surfaces.

FREE STANDING KIT ASSEMBLY



ASSEMBLY INSTRUCTIONS:

1. LOCATE BASES 'A' AND BRACES 'B'
2. ASSEMBLE THE BASE 'A' TO BRACE 'B' USING THE 1/2" X 3" BOLTS AS SHOWN.
3. ATTACH THE LEGS TO THE DOOR USING THE 1/2" X 3" BOLTS AS SHOWN.
4. ANCHOR THE DOOR ASSEMBLY TO THE GROUND USING THE SUPPLIED HARDWARE OR ALTERNATE METHOD USING ANCHOR HOLES 'C'

Thank you for your purchase and use of the BTI Breaching Door system. This innovative and patented training device provides realistic training scenarios that are discussed on the following pages.

Warranty

Your new BTI Training door includes a 1-year manufacturer's warranty that covers quality and workmanship or 1500 breaches, whichever comes first. If at any time you are unsatisfied with this product or its operation, please feel free to contact us using any of the options listed under contacts below.

Replacement Parts

Although we don't anticipate any items that would need replacing other than the skin of the door, please contact us to discuss these items.

Maintenance

Paint scratches should be touched up to prevent rust from occurring. While any paint will suffice, we recommend *RUST-OLEUM* in Hammered Black.

Contacts

You may contact BTI using any of the following methods:

Mail: Breaching Technologies Inc.
P.O. Box 701468
San Antonio, Texas 78270

Web: www.breachingtechnologies.com
Phone: (210) 590-5152
(866) 552-7427 toll free
Fax: (210) 590-5193
Email: delj2121@sbcglobal.net

Caution

This BTI product weighs approximately 200 lbs. The door should be secured by insertion of a breaching pin or other means during transport and moving. The movement of the unlatched door can and has caused injury.

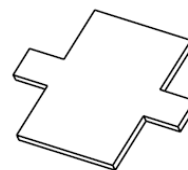
Shotgun Hinge Breaching Door Operation

Your new breaching door has been designed to simulate an inwardly opening door for forced entry training using a shotgun. The door may be mounted in a structure such as a training or live fire facility, or may be utilized with the optional freestanding kit. The freestanding kits are interchangeable between all of BTI's Breaching Doors.

Consumables

Lock/Knob Panels

With the purchase of your BTI shotgun-training door, you received a quantity of shotgun lock/knob breaching panels (pictured to the right). Each of the panels can be used twice. Rotate the panels 180° and reinsert them into the doorjamb to use again.



Door Breaching

Your new breaching door has been engineered to simulate 3 separate scenarios for forced entry training. These include doors containing up to 3 locksets: Door Knob and 2 Dead Bolts.

After closing the door, the desired type and quantity of BTI panels are inserted into the door as shown below. Due to deformation of the panels during the breach, a jamb screw is provided to secure the panels in place.



The BTI Shotgun Breaching Door has been designed to provide realistic training utilizing low cost birdshot or game loads. More costly frangible ammo (AVON type) can be utilized if desired. Due to safety reasons, buckshot and slugs are not recommended due to the increased potential for ricochets.

For increased safety and door longevity, we recommend using BTI Frangible Shotgun Training Rounds on your new Shotgun Door. When used properly, all of the material in the round disintegrates on impact and eliminates virtually all splash-back and ricochet.

The BTI Shotgun door contains features that require the trainee to locate shots in the proper place to effectively breach the door. When the panels are inserted into the structure, the tab of the panel (simulating the bolt of the lock) is not exposed. This forces the trainee to properly place the shot at a location that would sever the tab (bolt in real situations). Improperly placed shots with this product, as in real situations, will not sever the bolt, resulting in a failed breach.

Additionally, a funneling type structure has been incorporated into the door breaching area to minimize splatter and ricocheting of the fired rounds.



IMPORTANT NOTICE!!

ATTN: BREACHING TRAINER

**Please deliver this notice to the
BREACHING TRAINER**

BTI Breaching Pins and/or panels are required and MUST be used for training on ALL BTI Breaching Doors. The use of substitute pins or panels will result in loss of warranty.

Pins and panels can be obtained by going to our web site:

www.breachingtechnologies.com

Contact BTI for a price quote by emailing:

delj2121@sbcglobal.net

End Use License Agreement

BTI Breaching Doors are manufactured using a patented socket or panel system installed in the frame and door. It should be specifically noted that the Purchaser must use the BTI patented engineered pins or panels when breaching the door. Any use of a substitute product is strictly prohibited and would constitute a violation of BTI policy and thereby be in default of this Licensing Agreement notification. The proprietary information provided on the Serial Number plate attached to each door is meant to serve as a notification of the BTI Licensing Agreement.